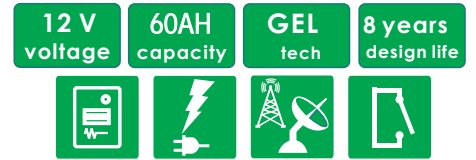


## TECHNICAL SPECIFICATIONS

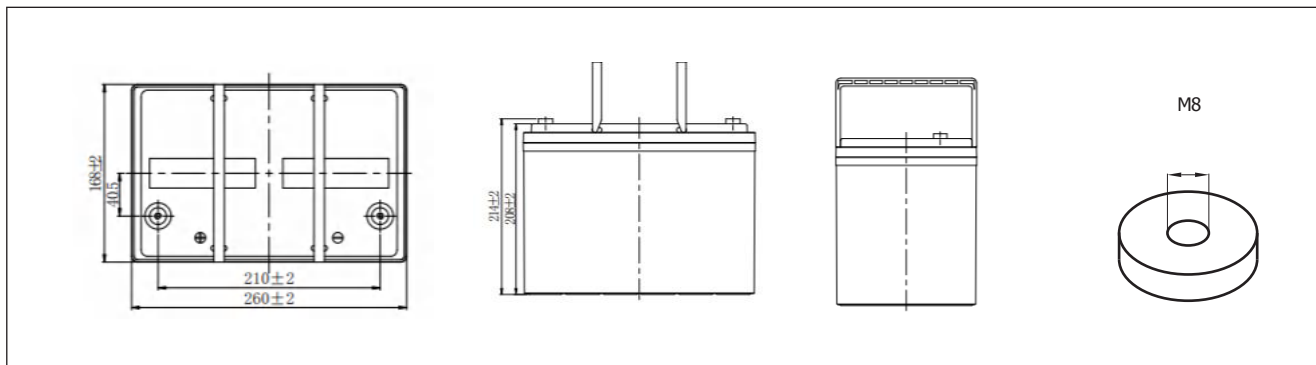
Nominal Voltage (V)	12 (6 cells per unit)
Designed Floating Life (25°C)	8 Years
Nominal Capacity (25°C)	60 Ah @ 3HR-rate (to 1.75Vpc)
Dimension (mm)	L260mm x W166mm x H216mm
Approx. Weight	23.5 kg
Terminal Type	M8
Internal Resistance	Approx. 6.6 Ohm (fully charged @ 25°C)
Max. Charge Current	12A
Max. Discharge Current (5S)	300 A
Short Circuit Current	900 A
Self Discharge	Approx. 3% per month @ 25°C
Ambient Temperature	Discharge: -20~60°C Charge: -20~60°C Storage: -20~45°C
Float Charge Voltage (25°C)	13.5-13.8V (-3mV/ cell/ °C)
Equalize and cycle Use Charge Voltage (25°C)	14.4-15.0V (-5mV/ cell / °C)
Container Material	ABS (UL94-V0 optional)



### Complied standards

- IEC 60896-21/22
- UL1989
- JIS C8704
- GB/T19639

## BATTERY DIMENSIONS



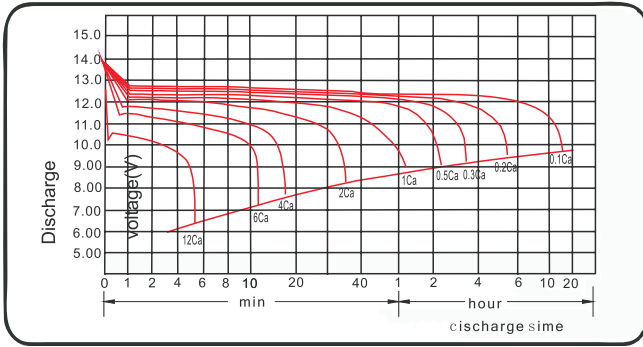
## BATTERY DISCHARGE TABLE

Constand current discharge(25°C)

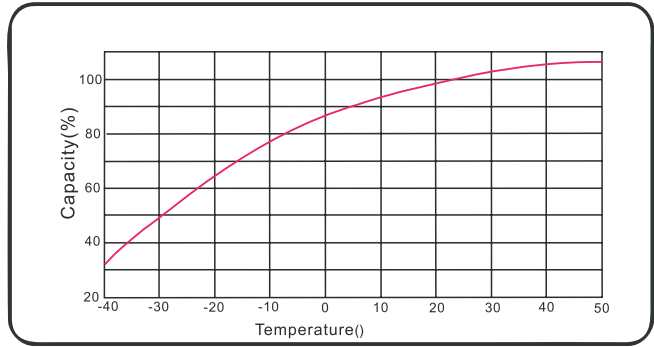
F. V/Time	1HR		3HR		5HR		10HR		20HR	
	current (Amps)	capacity (Ah)	current (Amps)	capacity (Ah)	current (Amps)	capacity (Ah)	current (Amps)	capacity (Ah)	current (Amps)	capacity (Ah)
1.75V	55	55	20	60	13	65	7	70	4.25	85

## CHARACTERISTICS

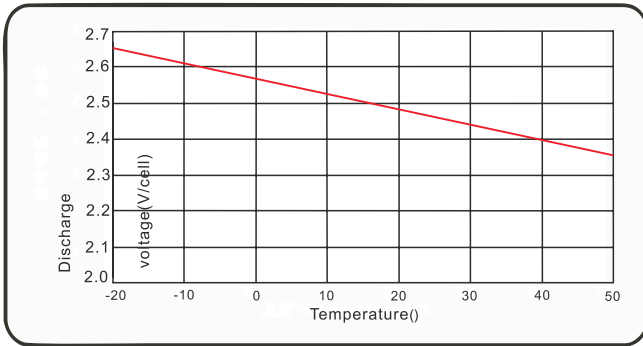
### Discharge Characteristic Curve



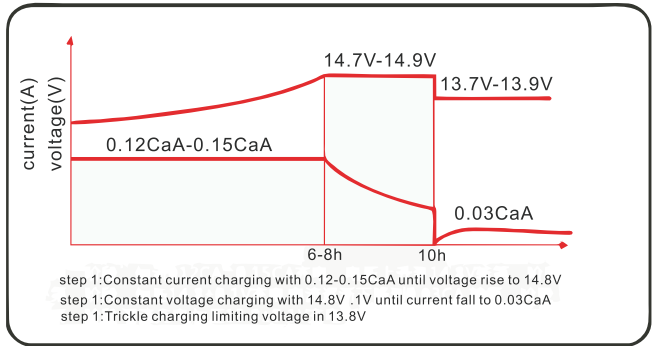
### Effect of temperature on capacity



### Effect of temperature on charge voltage



### Charge Characteristic Curve



### Cycle service life

