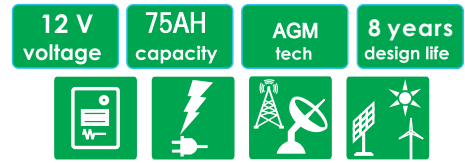


TECHNICAL SPECIFICATIONS

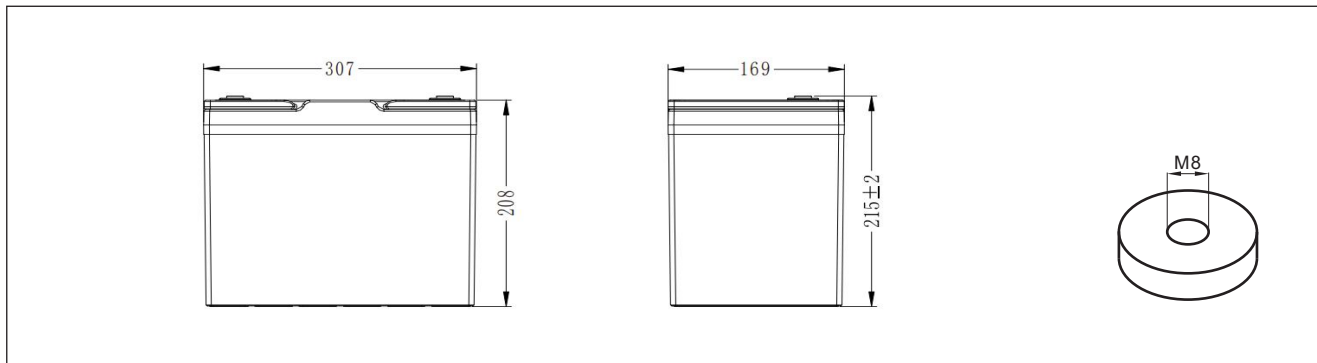
Nominal Voltage (V)	12 (6 cells per unit)
Designed Floating Life (25°C)	8 Years
Nominal Capacity (25°C)	75AH @ 3HR-rate to 1.75V PC
Dimension (mm)	L307mm*W169mm*H212mm
Approx. Weight	27.8kg
Terminal Type	M8
Internal Resistance	Approx. 6.5 Ohm (fully charged @ 25°C)
Max. Charge Current	15A
Max. Discharge Current (5S)	375A
Short Circuit Current	1125A
Self Discharge	Approx 3% per month @ 25 °C
Ambient Temperature	Discharge: -25~65°C Charge: -25~60°C Storage: -25~45°C
Float Charge Voltage (25°C)	13.5-13.8V (-3mV/ cell/ °C)
Equalize and cycle Use Charge Voltage (25°C)	14.4-15.0V (-5mV/ cell/ °C)
Container Material	ABS (UL94-V0 optional)



Complied standards

- IEC 60896-21/22
- IEC 61427
- UL1989
- JIS C8704
- GB/T19639

BATTERY DIMENSIONS



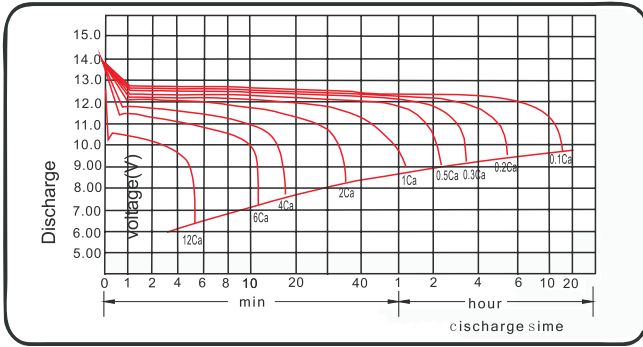
BATTERY DISCHARGE TABLE

Constand current discharge(25°C)

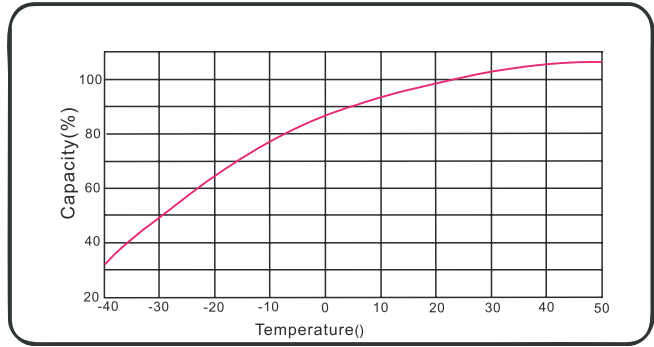
F.V/Time	1HR		3HR		5HR		10HR		20HR	
	current (Amps)	capacity (Ah)	current (Amps)	capacity (Ah)	current (Amps)	capacity (Ah)	current (Amps)	capacity (Ah)	current (Amps)	capacity (Ah)
1.75V	57	57	25	75	16	80	9	90	5.25	105

CHARACTERISTICS

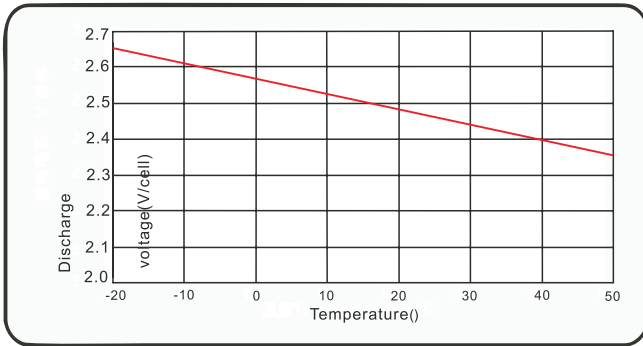
Discharge Characteristic Curve



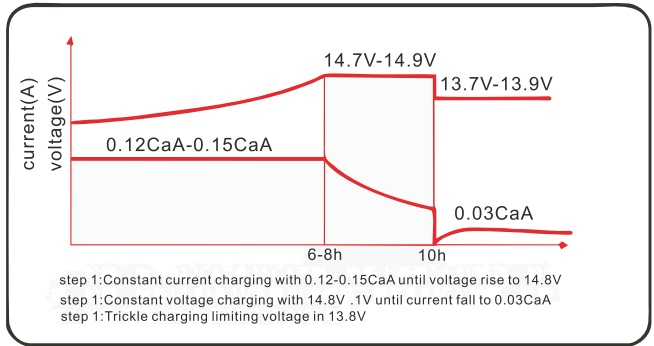
Effect of temperature on capacity



Effect of temperature on charge voltage



Charge Characteristic Curve



Cycle service life

